


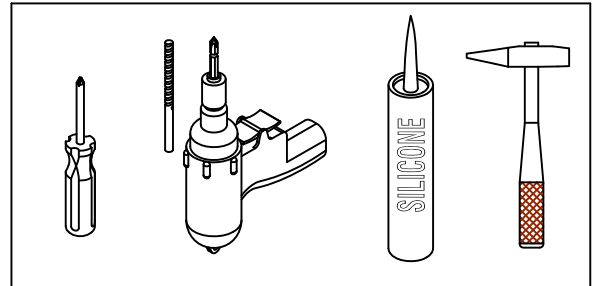


Item No. : GRM20

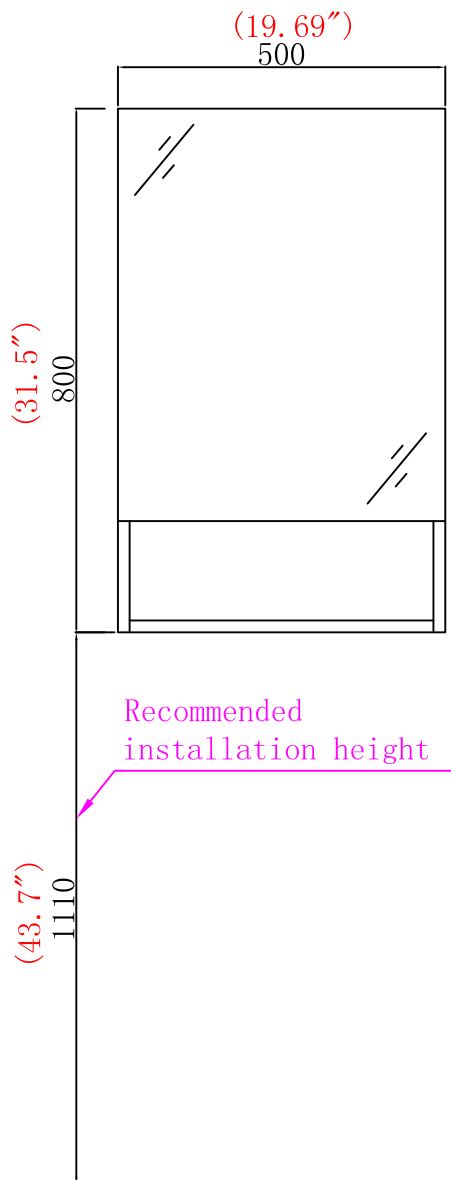
## Hardware

NO.	Draw	QTY
A		4
B		4
C		4

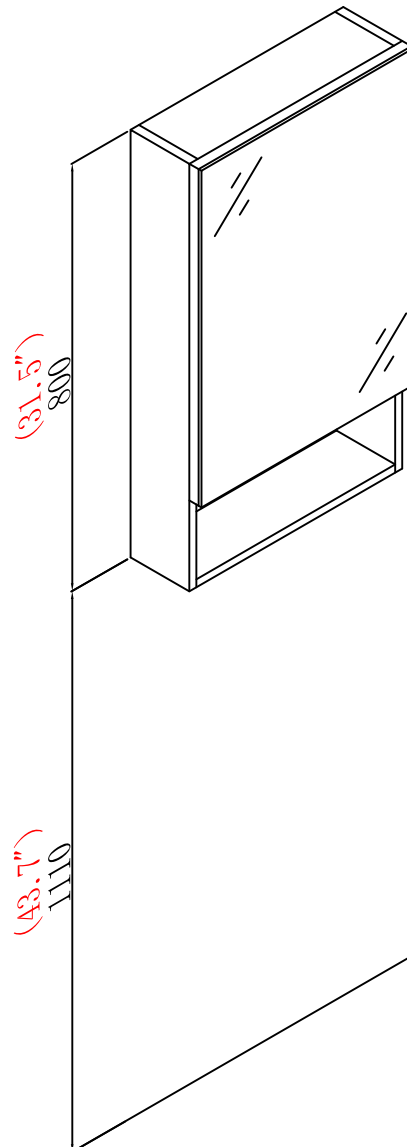
## Tools



**WALL**

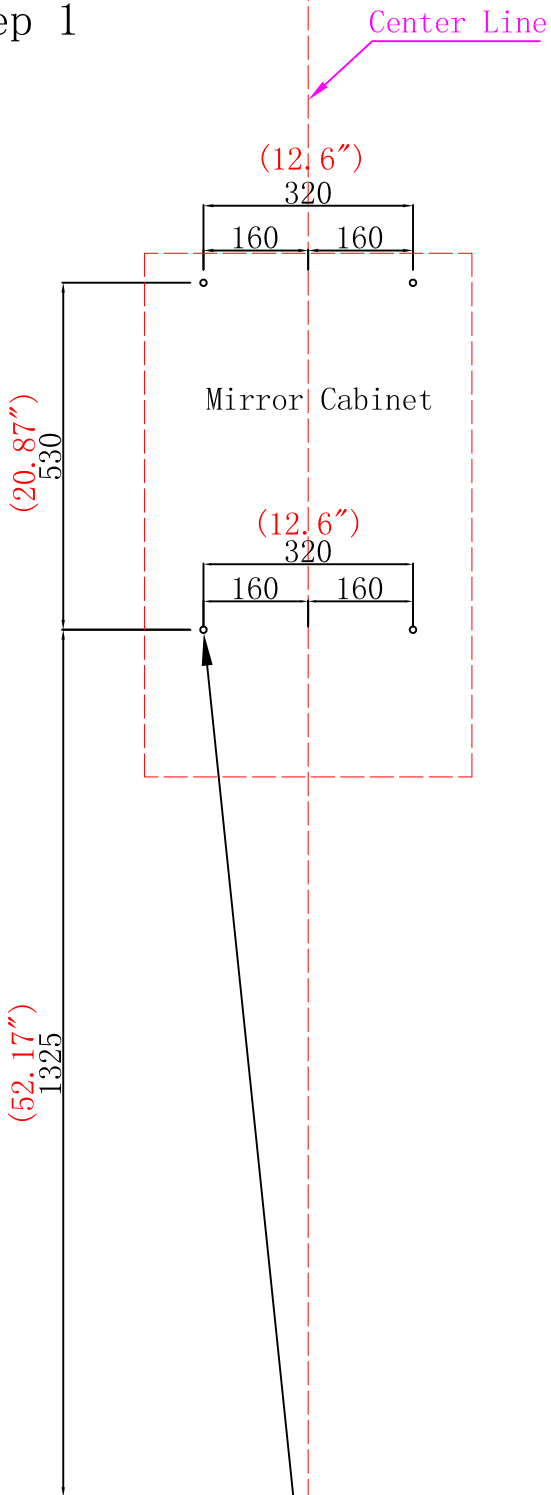


**WALL**



**FLOOR**

# Step 1



# Step 2

